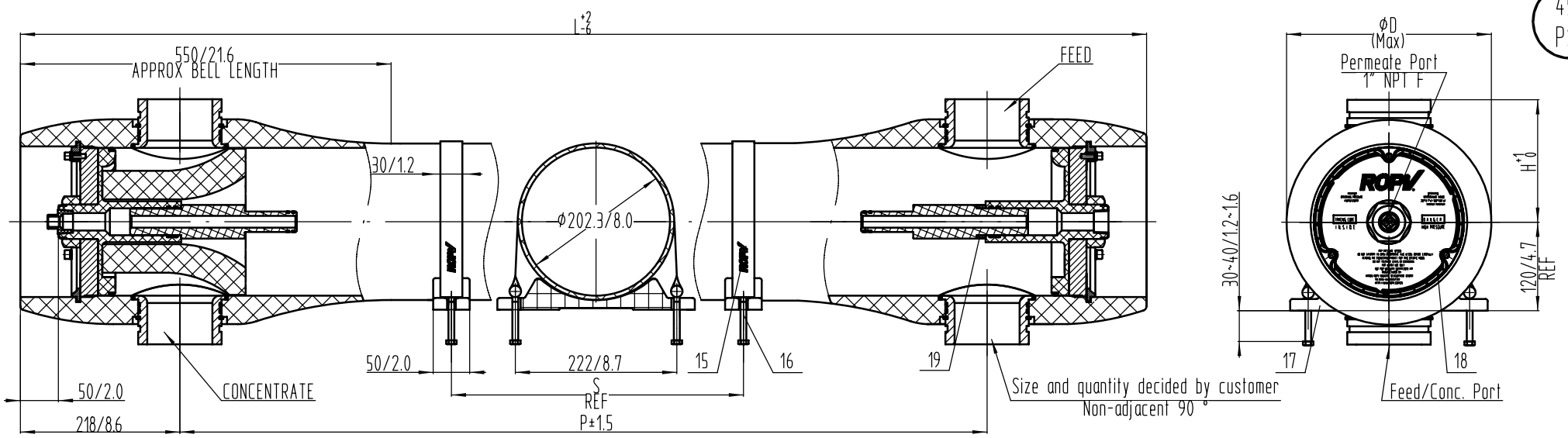


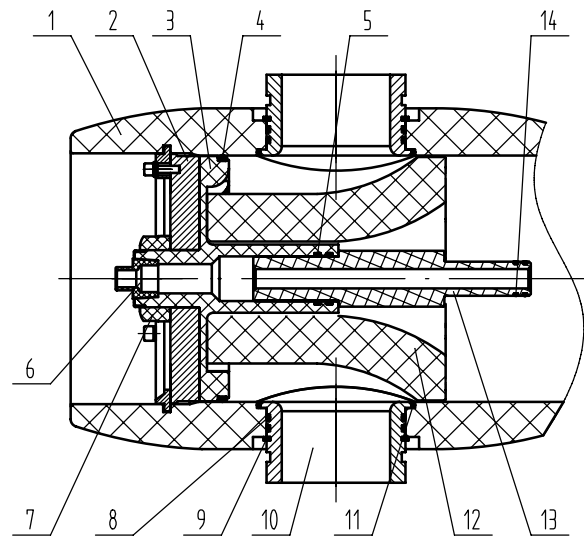
450
PSI



- 1 DESIGN PRESSURE 450PSI(3.1MPa).
- 2 DESIGN TEMPERATURE 150°F(66°C).
- 3 MIN ALLOWABLE TEMPERATURE 20°F(-7°C).
- 4 WORKING MEDIUM, WATER PH3-11.
- 5 DIMENSIONS IN MM(INCHES APPROX).
- 6 INTERNAL PERMEATE PRESSURE NOT TO EXCEED 125PSI(0.88Mpa).
- 7 THE QUANTITY OF ITEM NO.8 9 10 AND 11,DEPEND ON THE FEED/CONC. PORTS CONFIGURATION.
- 8 ITEM 12 CONCENTRATE SIDE ONLY.
- 9 ITEM 19 FEED SIDE ONLY.
- 10 PLEASE OPERATE IN ACCORDANCE WITH USER MANUAL.
- 11 FOR REFERENCE ONLY,NOT FOR CONSTRUCTION UNLESS CERTIFIED.
- 12 SPARE PARTS FORM JUST FOR REFERENCE,SPECIFIC FORM OF THE SPARE PART DRAWING PREVAIL,SUBJECT TO CHANGE WITHOUT NOTICE.
- 13 ALL PARTS CAN BE RECYCLED EXCEPT FRP SHELL.

F/C.PORT	D	H
3"	272/10.7	160/6.3
4"	282/11.1	166/6.5

Ref.	Part Number	Description	Qty.	Material	Note
19	A8023.1	Shim	0-3	Engineering Thermoplastic	
18	A8018.4	Locking Kit Segment Assy.	6	304SS,including Screw and Pad	
17	A8016	Saddle	2~3	Rubber	
16	GB/T5782 M8x90	Strap Screw	4~6	304SS	
15	A8014.2	Strap	2~3	304SS-Brass and Rubber	
14	23.6x2.65G GB/T3452.1	O-ring	4	EPDM	
13	A8012.5	Adapter	2	Engineering Thermoplastic	
12	A8011.5	Thrust Ring	1	Engineering Thermoplastic	
11	125x3.55G GB/T3452.1 97.5x3.55G GB/T3452.1	O-ring	2~4	EPDM	
10	S8030I<DZ> S8030G<DZ>	4"Feed/Conc. Port 3"Feed/Conc. Port	2~4	316LSS	OPT
09	A8009.5 A8009.4	Retaining Ring Retaining Ring	2~4	304SS	
08	106x3.55G GB/T3452.1 82.5x3.55G GB/T3452.1	O-ring	4~8	EPDM	
07	A8007	Permeate Part Locknut	2	Engineering Thermoplastic	
06	A8006	Plug	1	Engineering Thermoplastic	
05	36.5x3.55G GB/T3452.1	O-ring	4	EPDM	
04	190x5.3G GB/T3452.1	O-ring	2	EPDM	
03	A8003.4	Unitary Sealing Plate	2	Engineering Thermoplastic;304SS Ring	
02	A8002.2	Bearing Plate	2	Aluminium Alloy-Hard anodized	
01	S8013.9-16	Pressure Shell	1	FRP	



Shell length code	Shell number	L L.O.A MM/IN	P Port to port MM/IN	S Span MM/IN	Approx assembly weight (3"Feed/Conc. Port) KG/LB
1	S8013.9	1630/64.2	1194/47	500/19.7	65/143
2	S8013.10	2646/104.2	2210/87	1455/57.3	75/165
3	S8013.11	3662/144.2	3226/127	2064/81.3	85/187
4	S8013.12	4678/184.2	4242/167	1600/63x2	95/209
5	S8013.13	5694/224.2	5258/207	2000/78.7x2	105/231
6	S8013.14	6710/264.2	6274/247	2358/92.8x2	115/253
7	S8013.15	7726/304.2	7290/287	2865/112.8x2	125/275
8	S8013.16	8742/344.2	8306/327	3373/132.8x2	135/297

ROPV

DESIGN: Harbin **ROPV** Industry Development Center

REVIEW: MODEL R8040B450S (Large Opening) PRESSURE VESSEL

APPROVAL: DRG: R8040B450S-00(3" 4") REV: 10.2.3